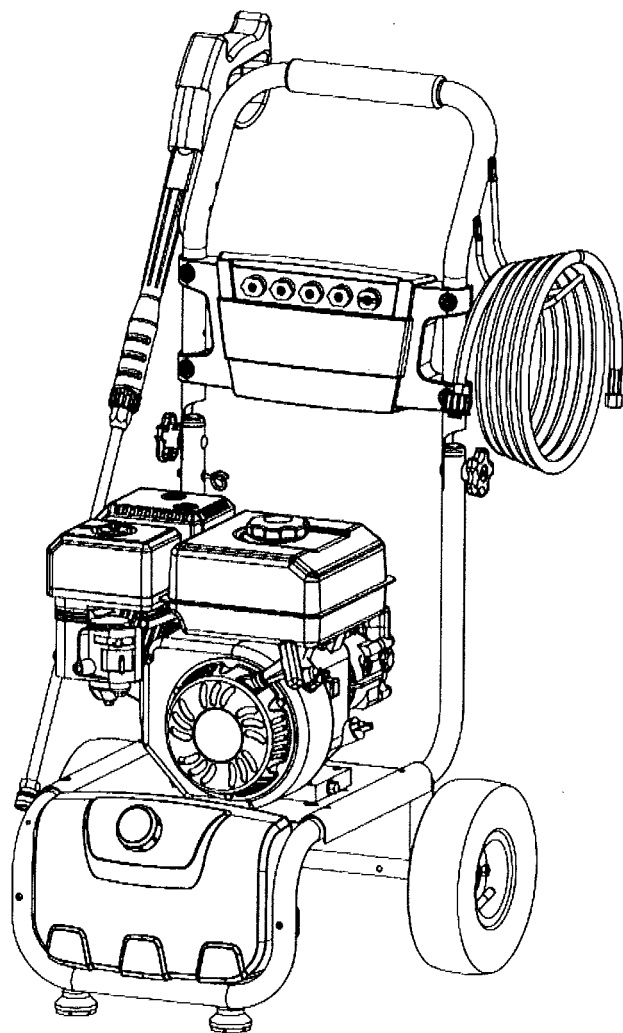


KÄRCHER

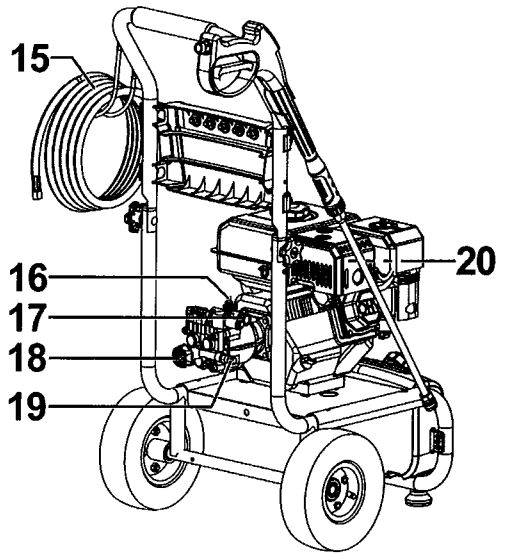
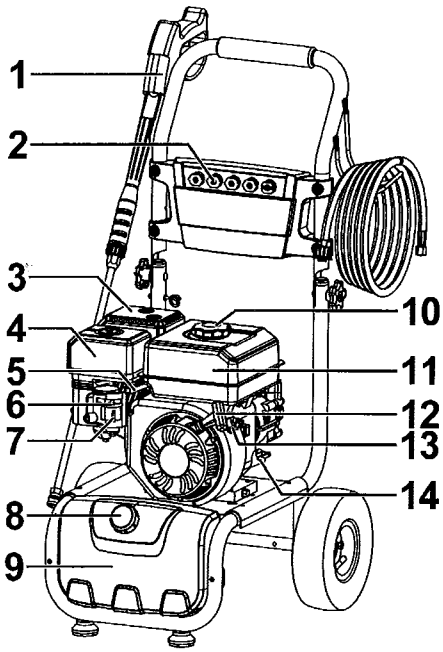
G 3000



English... 4
Español... 22
Français... 42



8.641-226.0 12/15



HIGH PRESSURE WASHER OPERATOR MANUAL



Please read and comply with these original instructions prior to the initial operation of your appliance and store them for later use or subsequent owners.

5. Throttle Lever
6. Choke Lever
7. Fuel Valve
8. Detergent Tank Cap
9. Detergent Tank
10. Fuel Tank Cap
11. Fuel Tank
12. Hand Cord
13. Engine Switch
14. Oil Dipstick
15. Pressure Hose
16. Detergent Suction Connection
17. Pump Outlet
18. Pump Inlet
19. Thermal Relieve Valve
20. Spark Plugs

Contents

Model Overview	EN-4
Safety Instructions	EN-5
Assembly Instructions	EN-7
Preparation	EN-9
Operating Instruction	EN-10
Using the Accessories	EN-12
Working with Detergents	EN-13
Taking a Break	EN-14
Shutting Down & Clean Up	EN-14
Winterizing & Long Term Storage	EN-14
Maintenance Instructions	EN-15
Cleaning Tips	EN-15
Troubleshooting	EN-18

Model Overview

1. Spray Gun
2. Nozzles
3. Muffler
4. Air Filter

4 English



G 3000

Operating Pressure	3000 PSI
Water Volume	2.4 GPM
Engine	OHV
Fuel Type	Unleaded Gas
Fuel Tank Size	.79 Gallons (3.0L)
Engine Oil Type	SAE 10W-30
Model Number	1.107-280.0
Serial Number	

 **DANGER**

Indicates "an imminently hazardous situation which, if not avoided, will result in death or serious injury."

 **WARNING**

Indicates "a potentially hazardous situation which, if not avoided, could result in death or injury."

 **CAUTION**

Indicates "a potentially hazardous situation which, if not avoided, may result in minor or moderate injury or in property damage incidents."

Safety Instructions

 **WARNING**

When using this product, basic precautions should always be followed, including the following:

- Read the operating instructions of the engine manufacturer before start-up and follow the safety instructions carefully.
- Read all instructions before using product.
- To reduce the risk of injury, close supervision is necessary when the product is used near children.
- Know how to stop the product and bleed pressures quickly. Be thoroughly familiar with the controls.
- Stay alert - watch what you are doing.

- Do not operate when fatigued or under the influence of alcohol or drugs.
- Keep operating area clear of all persons.
- Do not overreach or stand on unstable support. Keep good footing and balance at all times.
- Wear safety goggles and ear protection.
- Follow the maintenance instructions specified in the manual.
- To avoid risks, all repairs and replacement of spare parts should only be carried out by trained personnel.
- Tire pressure should not exceed max. 25 psi.

 **WARNING**

Risk of injection or injury – Do not direct discharge stream at persons.

- High pressure jets can be dangerous if misused. The jet must not be directed at persons, animals, electrical devices, or the unit itself.

 **DANGER**

Do not spray electrical connections, electrical outlets or fixtures.

- Do not use acids, solvents, or any alkaline or flammable material in this product. These products can cause physical injuries to the operator and irreversible damage to the machine.

 **WARNING**

Gun kicks back – Hold with both hands.

- The trigger gun safety lock prevents the trigger from accidentally being engaged. This safety feature must be engaged when replacing nozzles or not in use.

WARNING

The engine exhaust from this product contains chemicals known to the State of California to cause cancer, birth defects or other reproductive harm. Operation of this equipment may create sparks that can start fires around dry vegetation. A spark arrestor may be required. Operator should contact local fire agencies for laws or regulations.

CAUTION

Risk of asphyxiation – Use this product only in a well ventilated area. Do not operate indoors or in any confined area.

- Operate and fuel machine in a well ventilated area, free of devices featuring an open pilot or flame such as boilers, water heaters, etc.

CAUTION

Risk of fire/explosion – Do not add fuel when the machine is operating or still hot.

WARNING

Risk of fire/explosion -Operate only where open flame or torch is permitted. Do not spray flammable liquids.

- Do not operate if fuel has been spilled. Instead, move machine to

different location and avoid creating sparks.

- This machine has hot surfaces which can cause burns. Operate in a safe environment and away from children.
- Do not touch hot surfaces or allow accessories to contact hot surfaces.
- Do not leave machine running unattended.
- Avoid tipping machine on its side.



CAUTION

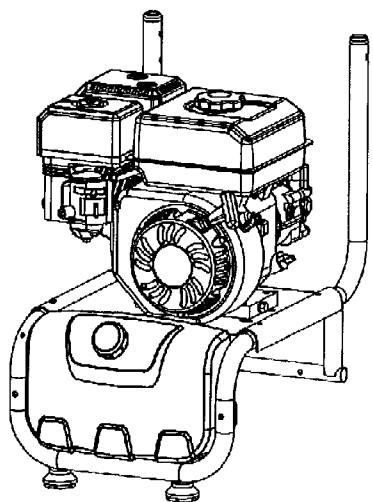
When connecting to water supply mains, local regulations of your municipal water company must be observed. In some areas connecting directly to public drinking water supply may require a back flow prevention device. This is to ensure that there is no feedback of chemicals into the water supply. Use a water filter to avoid potential damage from dirt in the water supply.

- Garden hose must be at least 5/8 inch diameter.
- Flow rate of water supply must not fall below 2.4 GPM (gallons per minute)
- Flow rate can be determined by running the water for one minute into an empty 5-gallon container.
- The water supply temperature must not exceed 122°F/50°C.
- Never use the pressure washer to draw in water contaminated with solvents, e.g. paint thinners, gasoline, oil, etc.

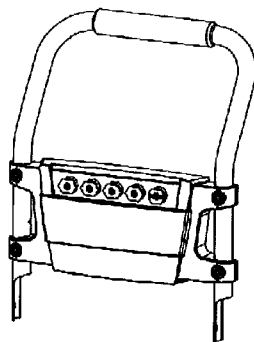
- Always prevent debris from being drawn into the unit by using a clean water source. Use additional water filter.
- Do not operate pressure washer without the water turned on.

Assembly Instructions

Part List



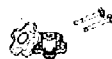
A - Main Frame



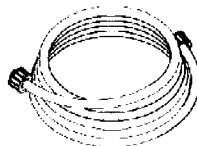
B - Handle



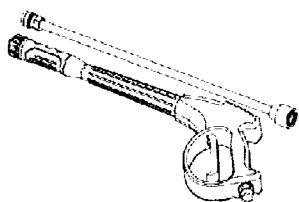
C - Gun Hook & Hose Hook



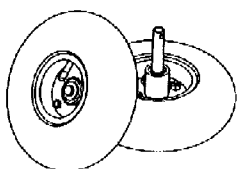
D - Knobs & Bolts



E - Pressure Hose



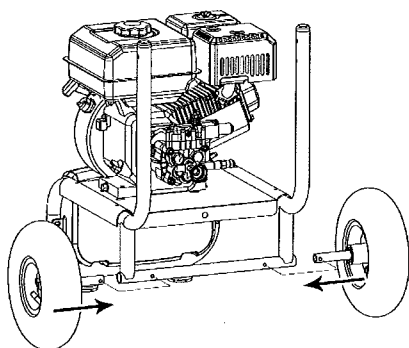
F - Spray Gun & Wand



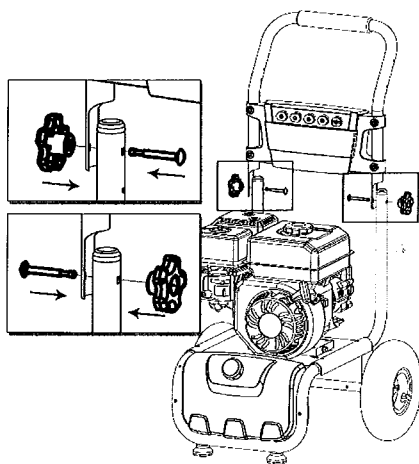
G - Wheels

Parts not shown:

- 1 - Manual
- 1 - Nozzle Cleaner
- 1 - Spark Plug Wrench
- 1 - O-Ring Set
(2 for pressure hose, 1 for spray gun)



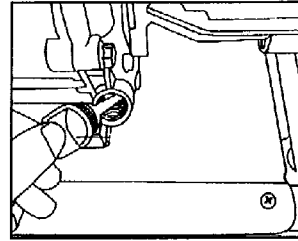
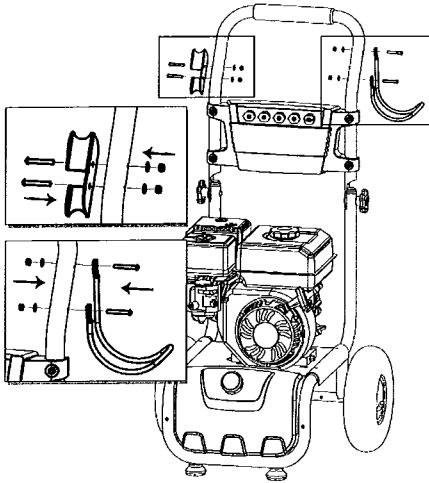
- ▶ Attach the handle and main frame with knobs and bolts.



Assembling

- ▶ Install the wheels to the main frame by pressing the spring loaded pin on wheel axle, then insert wheel axle into frame. Ensure that the spring pin is fixed in position. Repeat for the other wheel.

- ▶ Attach the gun & hose hooks to the handle.



- ▶ Fully reinsert the oil gauge dipstick and pull it out to check the oil level.
- ▶ If the oil level is halfway up the dipstick or below, refill with SAE 10W-30 oil through the dipstick hole until the oil level reaches 3/4 up the dipstick or until it reaches the bottom lip of the dipstick hole as shown.

Preparation

Oil Level



! WARNING

Engine shipped without oil in crankcase. Before starting engine, fill with oil. Do not over-fill. Do not run the engine with a high or low oil level as this can cause engine damage. If you have further questions regarding the engine, please refer to the engine manual included with the unit.

- ▶ Turn the oil gauge dipstick counter clockwise; remove it and clean it with a clean cloth.

Always use SAE 10W-30 oil.

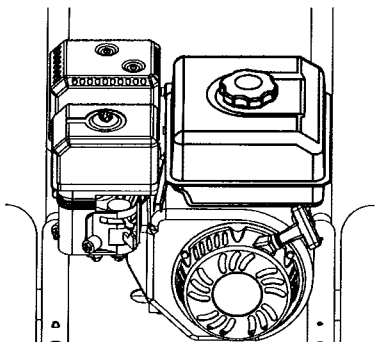
Oil crankcase capacity: 0.6L.

- ▶ Reposition the oil gauge dipstick and tighten it by turning clockwise.
- ▶ Engine oil should be changed after the first 5 hours, then every 50 hours.

Fuel Level

! WARNING

Make sure there is enough fuel in the fuel tank before operating. This is a 4-cycle engine and does not require a gas/oil mixture. There is a separate reservoir for gas and a separate reservoir for oil.



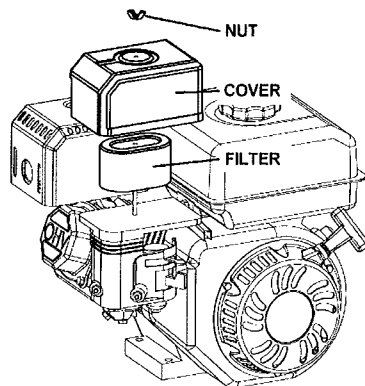
- ▶ If it is necessary to add fuel, first make sure the engine is OFF, and then remove the fuel cap by turning it counter clockwise.
- ▶ When refueling, make sure the fuel filter is in place and keep in mind all safety precautions.
- ▶ Use clean unleaded gasoline with a minimum of 87 octane. DO NOT use old gas. DO NOT mix oil with gasoline.

**Fuel tank capacity: .79 Gallons
(3.0 Lt)**

WARNING

The air filter should be checked after prolonged storage, the following steps should be done when checking the air filter. It is recommended to replace the air filter once every spring.

- ▶ Unscrew the nut on the cover counterclockwise. Remove the cover.

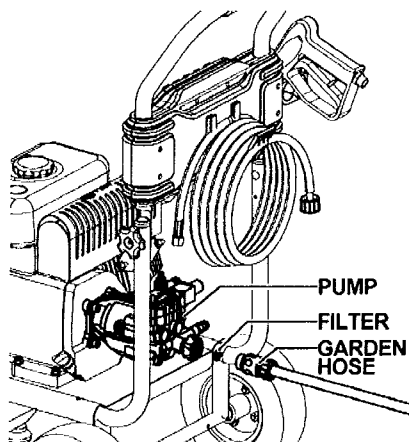


- ▶ Remove the air filter, wash filter in kerosene, squeeze kerosene out, soak filter in engine oil and squeeze engine oil out.
- ▶ Replace filter and replace the air filter cover.

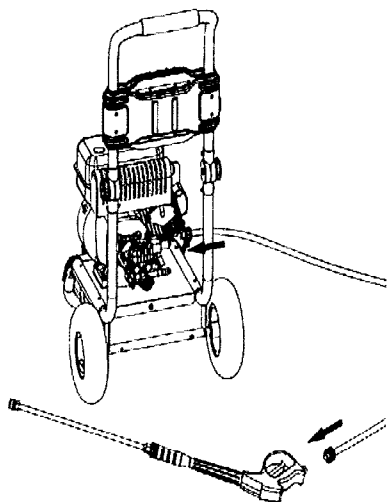
Operating Instructions

Starting Procedure:

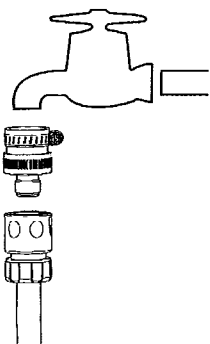
- ▶ Connect garden hose.



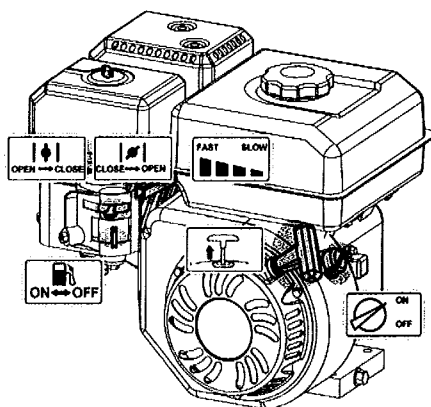
- ▶ Connect spray gun and pressure hose.



- ▶ Open water source.



- ▶ Start the Engine.



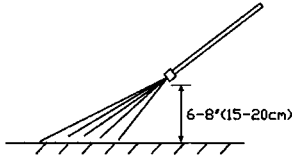
1. Turn the engine switch to "ON" position.
2. Move choke lever to "CLOSE" position.
3. Turn the fuel valve to "ON" position.
4. Put the throttle lever to the "FAST" position.
5. Pull trigger on spray gun to release pressure.
6. Locate recoil cord and pull slowly until resistance is felt. At this point, pull rapidly to start engine.
7. After the engine has started, turn the choke lever to "OPEN" position.

NOTE: If unable to start the engine, repeat the above operation one or two times.

NOTE: If the temperature is higher, such as during summer or if the engine is hot, choke valve should be switched to "OPEN" position before starting.

Cleaning Procedure:

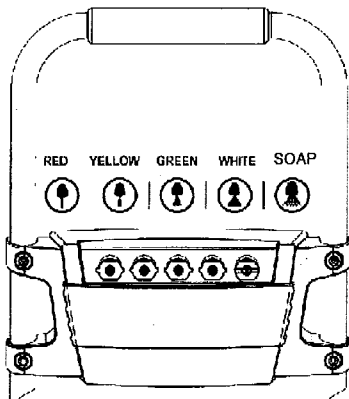
- ▶ Position the tip of the wand 6-8" (15-20 cm) away from the surface to clean at a 45° angle.



Using the Accessories

Quick Connect Nozzles

The color-coded quick connect nozzles provide a wide array of spray widths from 0° to 65° and are easily accessible when placed in the convenient nozzle holder.



0° spray angle = Red nozzle

For particularly stubborn accumulation of grime. Not recommended for soft materials like sidings, decks, painted surfaces, cars.

15° spray angle = Yellow nozzle

For dirt accumulation over a surface.

25° spray angle = Green nozzle

For dirt accumulation over a large surface.

40° spray angle = White nozzle

For moderate dirt accumulation over a large surface.

Soap = Black nozzle

For operating with detergents or cleaning with low pressure.

⚠ CAUTION

High pressure in nozzle area. Risk of injury caused by improperly locked nozzle.

- Make sure you hear the "click" when inserting the nozzle tip into the quick connection.
- Pull the nozzle to make sure it is seated properly before operating your unit.

⚠ WARNING

To avoid serious injury never point spray nozzle at yourself, other persons or animals.

Adjusting Water Pressure

The pressure can be adjusted by changing the speed of the engine using the throttle lever.

Turning the throttle lever to the left can increase the speed to get more pressure.

Turning the throttle lever to the right can decrease the speed to get less pressure.

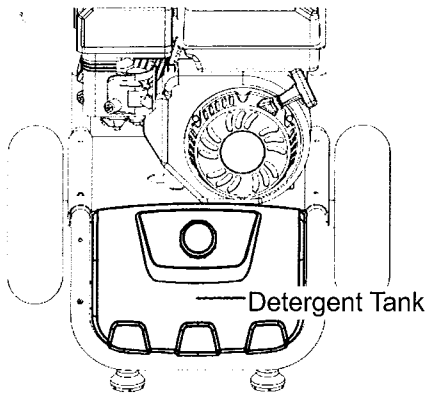
WARNING

When adjusting the engine throttle to the lowest setting, do not operate the pump. This can cause the engine to stall due to lack of power.

Working with Detergents

Detergents can only be applied with the black detergent nozzle.

- ▶ Install the black detergent nozzle for detergent application at low pressure.
- ▶ Fill the detergent tank with Kärcher Brand Detergent.



- ▶ With the engine running, pull trigger to operate unit.
- ▶ Liquid detergent is drawn into the unit and mixed with water.
- ▶ Apply detergent to work area.
- ▶ Do not allow detergent to dry on surface.
- ▶ Always flush the detergent bottle with fresh water when the cleaning job is done, to rinse/flush any remaining detergents from the injection system.

NOTE: For best results see Cleaning Tips for specific information on how to clean different surfaces.

CAUTION

This unit has been designed for use with cleaning detergents recommended by the manufacturer. The use of other cleaning detergent may affect the operation of the machine and void the warranty.

Always Use Kärcher Detergent for Best Results.

Kärcher biodegradable detergents are specially formulated to protect the environment and your pressure washer. The special formula won't clog the filter and will protect the internal parts of the pressure washer for a longer life. For Kärcher Detergents, check your retailer or visit our website:

www.karcherresidential.com

CAUTION

Never use:

- Bleach, chlorine products or other corrosive chemicals.
- Liquids containing solvents (i.e., paint thinners, gasoline, oils.)
- Tri-sodium phosphate products.
- Ammonia products.
- Acid-based products.

These chemicals will harm the unit and will damage the surface being cleaned.

Use of these items will void the warranty.

Taking a Break ...five minutes or more

- ▶ Move the engine stop switch to the OFF position.
For engine details see engine manual.
- ▶ Release trigger and engage safety lock.

Shutting Down & Clean Up

- ▶ If detergents have been used, insert 1 gallon of fresh water into Detergent Bottle. Siphon water at low pressure for one minute to clear the line of residual detergent.
- ▶ Move the engine stop switch to the OFF position. Close the fuel valve.
- ▶ Turn off the water source.
- ▶ Press trigger to release water pressure.
- ▶ Release trigger and engage gun safety lock.
- ▶ Disconnect the garden hose from the water inlet on the unit.
- ▶ Disconnect the high pressure hose from the high pressure outlet. Store the high pressure hose in the gun holder assembly.

Winterizing & Long-Term Storage

It is highly recommended to use Kärcher Pump Guard (part number 9.558-998.0) before winter storage and during the cleaning season to protect the pump from freezing and premature wear.

- ▶ Turn engine switch to the OFF position.
- ▶ Disconnect all hoses.
- ▶ Unscrew cap from Pump Guard bottle.
- ▶ Remove internal seal.
- ▶ Reattach cap to Pump Guard bottle and remove black protective cap.
- ▶ Screw bottle into water inlet on pressure washer pump and squeeze.
- ▶ With ignition OFF, pull starter rope until fluid starts to exit.
- ▶ Unscrew bottle. Store or dispose properly.

If Kärcher Pump Guard is unavailable, perform the following:

- ▶ Disconnect all water connections.
- ▶ Turn on the machine for a few seconds, until the water which remained in the pump exits. Turn off engine immediately.



CAUTION

Failure to follow the above directions may result in damage to the pump assembly and accessories and void the warranty.

Do not allow high pressure hose to become kinked.

Store machine and accessories in a room which does not reach freezing temperatures. DO NOT store near furnace or other sources of heat as it may dry out the pump seals.

Maintenance Instructions

Pump

Pump Inspection

You should routinely make a visual inspection of the pressure washer's pump. If you notice oil leaking around the pump seals, you should take the pressure washer to a Kärcher Authorized Service Center for repair. (You can locate a service center in your area online at: www.karcher-service.com).

Engine

Carry out maintenance tasks for the engine according to the specifications provided in the operating instructions provided by engine manufacturer.

Cleaning Tips

Deck Cleaning

With or Without Detergent

Pre-rinse deck and surrounding area with fresh water. If using Kärcher Deck Wash, apply to surface at low pressure. For best results, limit your work area to smaller sections of approximately 25 square feet. Allow Deck Wash to remain on surface 1-3 minutes. Do not allow detergent to dry on surface. Rinse at high pressure in a long sweeping motion keeping the spray nozzle approximately 3-6 inches

from the cleaning surface. Always clean from top to bottom and from left to right. When moving on to a new section of the cleaning surface, be sure to overlap the previous section to eliminate stop marks and ensure a more even cleaning result.

Cars, Boats & Motorcycles

With or Without Detergent

Pre-rinse vehicle with fresh water. If using Kärcher Touchless Vehicle Wash, apply to surface at low pressure. For best results, clean one side of vehicle at a time and always apply detergent from bottom to top, do not allow detergent to dry on surface. If needed, use special wash brush attachment (not included) to remove stubborn dirt. Rinse at high pressure in a sweeping motion keeping the spray nozzle approximately 6-8 inches from the cleaning surface (distance should increase when rinsing pin-striping or other sensitive surfaces). Always clean from top to bottom and from left to right. For best results, wipe surface dry with a chamois or soft dry cloth.

House Siding

With or Without Detergent

Pre-rinse cleaning surface with fresh water. If using Kärcher Pressure Wash, apply to surface at low pressure (for best results, limit your work area to sections of approximately 6 feet and always apply detergent from bottom to top). Allow detergent to remain on surface 1-3 minutes. Do not allow detergent to dry on surface, if surface appears to be drying, simply wet down surface with fresh water. If needed, use special wash brush attachment (not included) to remove stubborn dirt. Rinse at high pressure from top to bottom in an even sweeping motion keeping the spray nozzle approximately 6 inches from the cleaning surface.

Cement Patios, Brick & Stone

With or Without Detergent

Pre-rinse cleaning surface with fresh water. If using Kärcher Pressure Wash or Degreaser, apply to surface at low pressure. For best results, limit your work area to smaller sections of approximately 25 square feet. Allow Pressure Wash or Degreaser to remain on surface 1-3 minutes. Do not allow detergent to dry on surface. Rinse at high pressure in a sweeping motion keeping the spray nozzle approximately 3-6 inches from the cleaning surface. Always clean from top to bottom and from left to right. For

removing extremely stubborn stains, use a DirtBlaster® Spray Nozzle (sold separately).

Barbecue Grills, Outdoor Power Equipment & Gardening Tools

With or Without Detergent

Pre-rinse cleaning surface with fresh water. If using Kärcher Pressure Wash or Degreaser, apply detergent at low pressure. Allow Pressure Wash to remain on surface 1-3 minutes. Do not allow detergent to dry on surface. Rinse at high pressure keeping the spray nozzle approximately 3-6 inches from the cleaning surface. For removing extremely stubborn dirt, it may be necessary to move the spray nozzle even closer to the surface for greater dirt cutting action.

Patio & Lawn Furniture

With or Without Detergent

Pre-rinse furniture and surrounding area with fresh water. If using Pressure Wash, apply to surface at low pressure. Allow Pressure Wash to remain on surface 1-3 minutes. Do not allow detergent to dry on surface. If needed use special Wash Brush Attachment (not included) to remove stubborn dirt. Rinse at high pressure in a sweeping motion keeping the spray nozzle approximately 3-6 inches from the cleaning surface. For best results, clean from top to bottom and from left to right.

Recommendations

- Before cleaning any surface, an inconspicuous area should be cleaned to test spray pattern and distance for maximum cleaning results.
- If painted surfaces are peeling or chipping, use extreme caution as pressure washer may remove the loose paint from the surface.
- When using on surfaces which might come in contact with food, flush surfaces with plenty of drinking water.
- For additional cleaning tips, visit our website at www.karcherresidential.com

Optional Accessories

Optional accessories are available to further enhance your cleaning capabilities. These accessories are accurate as of the printing date of this manual. Please check our website:

www.karcherresidential.com for pricing and up to date information.

- Extension Hose
- DirtBlaster® Spray Nozzle
- Universal Wash Brush Kit

Troubleshooting

CAUTION

Remove the spark plug cable to prevent accidental ignition of the engine before making any repair.

Symptom	Cause	Solution
Engine Will Not Start	No Gasoline.	Fill Gas Tank.
	Choke is not in the correct position.	Slide lever out to closed position.
	Ignition switch is not in the correct position.	Turn Ignition switch on.
	Water pressure built up in the machine.	Squeeze the trigger to release the pressure.
	For additional engine problems refer to the engine manual.	
Unit Does Not Reach High Pressure	Diameter of garden hose is too small.	Replace with a 5/8 inch or larger garden hose.
	Water supply is restricted.	Check garden hose for kinks, leaks and blockage.
	Not enough inlet water supply.	Turn water on full force. Check garden hose for kinks, leaks or blockage.
	Water inlet filter is clogged.	Remove filter and rinse out in warm water.
	Black detergent nozzle is attached.	Remove black detergent nozzle and attach high pressure nozzle.
Output Pressure Varies High And Low	Not enough inlet water supply.	Turn water on full force. Check garden hose for kinks, leaks or blockage.

Symptom	Cause	Solution
Output Pressure Varies Between High And Low	Pump is sucking air.	Check that hoses and fittings are air tight. Turn off machine and purge pump by squeezing trigger gun until a steady flow of water emerges through the nozzle.
	Water inlet filter is clogged.	Remove filter and rinse out in warm water.
	Spray nozzle is obstructed.	Blow out or remove debris with a fine needle.
	Calcified gun, hose or spray wand.	Run distilled vinegar through detergent tank.
No Detergent	Detergent suction tube not properly connected to the machine.	Check connection.
	Detergent is too thick.	Dilute detergent, for best results use Kärcher detergent.
	Filter on detergent suction tube is clogged.	Run warm water through filter to remove debris.
	Damaged or clogged detergent suction tube.	Remove obstruction or replace detergent suction tube.
	A high pressure nozzle is attached.	Replace with black detergent nozzle.
	Spray nozzle is obstructed.	Blow out or remove debris with fine needle.
Garden Hose Connection Leaks	Loose fittings.	Tighten fittings.
	Missing/worn rubber washer.	Insert new washer.

Symptom	Cause	Solution
Spray Wand Leaks	Spray wand not properly attached.	Turn the swivel nut of the gun clockwise until connection is tight.
	Broken o-ring or plastic insert.	Visit www.karcher-help.com or locate a service center at www.karcher-service.com .
Pump Is Noisy	Not enough gas or engine oil.	Check that hoses and fittings are air tight. Turn off machine and purge pump by squeezing trigger gun until a steady flow of water emerges through the nozzle.
Water Leaks From Pump (Up To 10 Drop Per Minute Is Permissible)	Loose fittings.	Check fittings.
	Water seals are damaged or worn.	Visit www.karcher-help.com or locate a service center at www.karcher-service.com .
	Thermal protection device is activated.	Thermal protection device will auto reset. Do not run pump for more than 5 minutes without spraying.
Oil Drip	Oil seals are damaged or worn.	Visit www.karcher-help.com or locate a service center at www.karcher-service.com .

If the symptom you are experiencing is not listed above, or if the provided solutions do not solve your issue, please visit our extensive online troubleshooting database at:

www.karcher-help.com